

GP-15

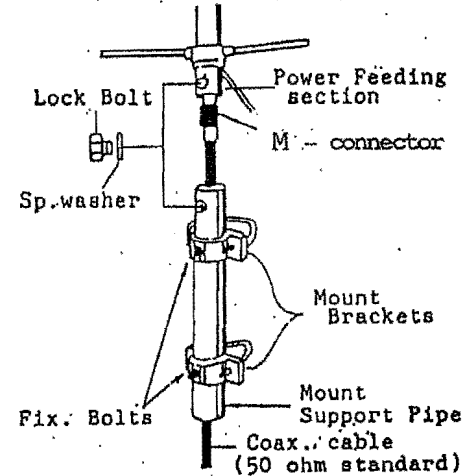
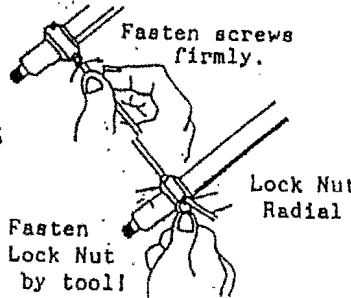
World First Tri-Bander Base Antenna
for 50, 144 & 430 MHz

Features:

- 1) COMET SLC-system (super linear converter) could realize low-loss, wide band Tri-bander firstly in the world.
- 2) One piece, heavy duty fiber glass is strong against wind, and is complete water/pollution proof.
- 3) Extremely wide band antenna at each frequencies, which requires No Frequency Adjustment.
- 4) Lightening protection guards your transceivers.
- 5) The additional use of COMET Triplexer CFX-514, 514J or 5140 allows Triplex(3-bands) TX/RX communication at the same time.
- 6) The center frequency of 50MHz can be changed, adjusting the length of the radial.

Specifications:

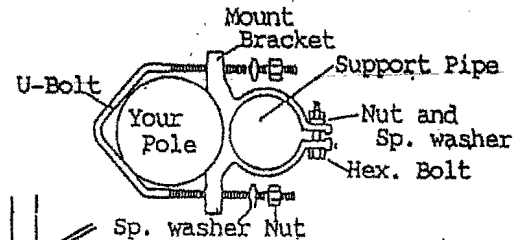
Frequency & gain :	3dbi
50- 52MHz	6.2dbi
144-146MHz	8.6dbi
430-440MHz	
Impedance :	50 ohm
V.SWR :	Less than 1: 1.5
Max. Power :	300 Watt
Length :	2.42 m
Weight :	1.4 Kg
Connector :	M type
Pole dia. :	30 - 62 mm
Wind Velocity :	50m/sec.



Assembling Works:

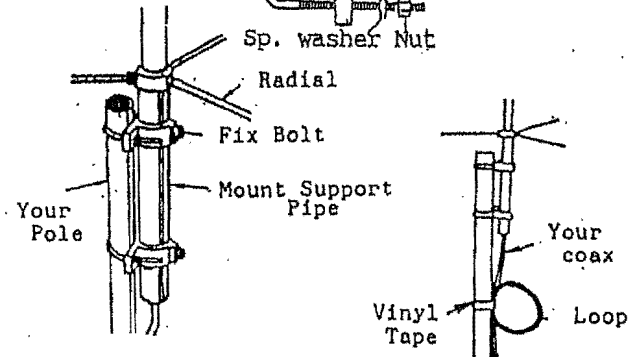
(Please refer to the right figs.)

- 1) Please assemble 3 radials to the Power Feeding Section. Then, lock them with Lock Nuts, using Spanner etc.
- 2) Assemble and fix 2 Mount Brackets to the Mount Support Pipe. Pass your coax. cable through the Support Pipe and assemble it to the Antenna M-type connector.
- 3) Please use self-melting tape on the connector joint part, for complete water-proof.
- 4) Finally, mount whole assembly onto your Pole.

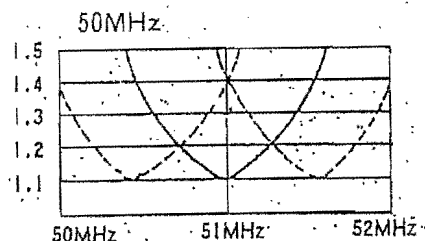
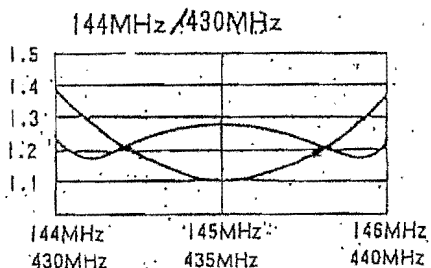


Remarks:

- a) GP-15 is high gain 3-bander including high 430MHz. In order to keep high electrical quality, please use low loss coax. cable of 50 ohm standard.
- b) To prevent extra heavy weight to the antenna, make one circle of coax. by vinyl tape.



V. SWR Characters:



How to adjust center freq. of 50MHz.

- 1) Set the length of adj. element at 52cm.
-
- Fix Screw
- 52cm
- Adj. Element

- 2) Connect SWR meter & Transceiver.
-
- Transceiver
- SWR Meter
- GP-15 Antenna

- 3) Adjust length of the element, watching SWR Meter: lower freq-longer and higher-shorter.